

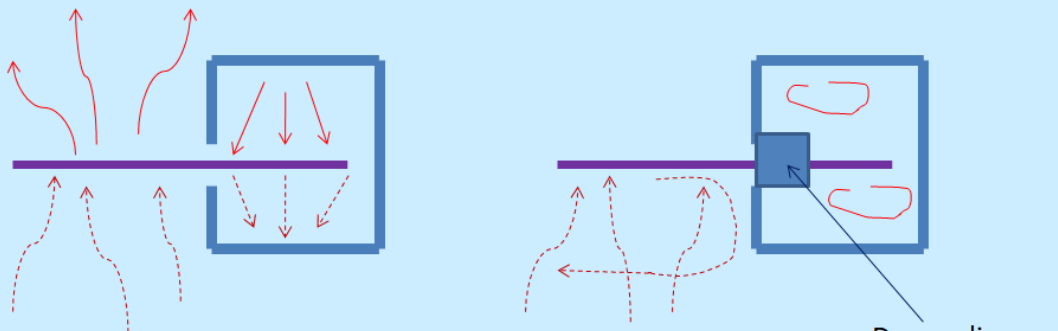
IMPROPER AND PROPER SHIELD TERMINATION TECHNIQUES

Dave Eckhardt - WØLEV

23 November, 2019

GOAL OF DECOUPLING

- Close Internal Fields Internally
- Close External Fields Externally



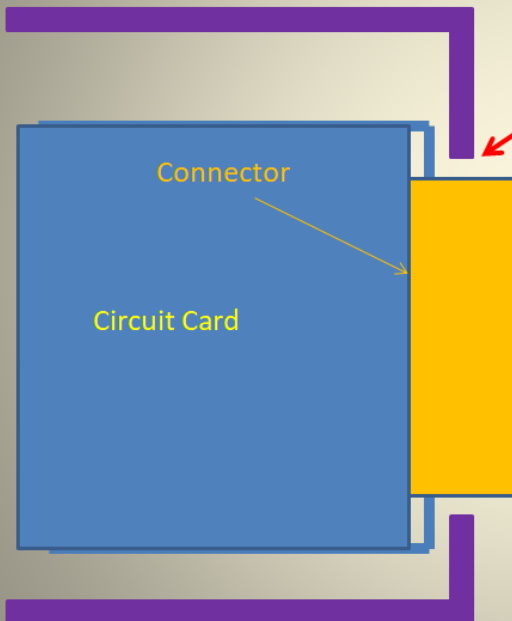
Decoupling Components Located
at and Bonded to Internal-to-
External Interface

Decoupling
Component(s)

IMPROPER

PROPER

TO BE AVOIDED AT ALL COSTS

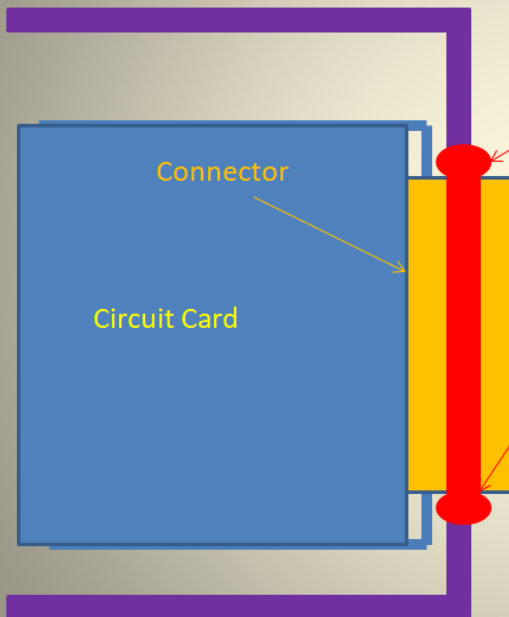


- No Connection Between Inside of Cage and Connector Backshell
- Same Situation as Left Diagram Two Slides Back
- Inside Fields Couple to Mating Cable which Functions as Antenna To Free Space - Radiation
- External Fields Couple to Mating Cable (Antenna) Fill Inside of the Cage With External Energy

THIS IS COMMON PRACTICE - **ABSOLUTELY BAD**

!!! PLEASE CEASE THIS PRACTICE !!!

TO BE AVOIDED AT ALL COSTS - 2



Add **CIRCUMFERENTIAL** Conductive Compressed (to Suppliers Specifications) RF Gasket !! (Schlegel)

Verify Gasket is Applied Metal-to-Metal – NO PAINT

NOTE: Mounting Hardware or Gaskets Supplied with Connectors are Generally **NOT** Adequate

!!! THIS IS HOW IT SHOULD BE DONE !!!